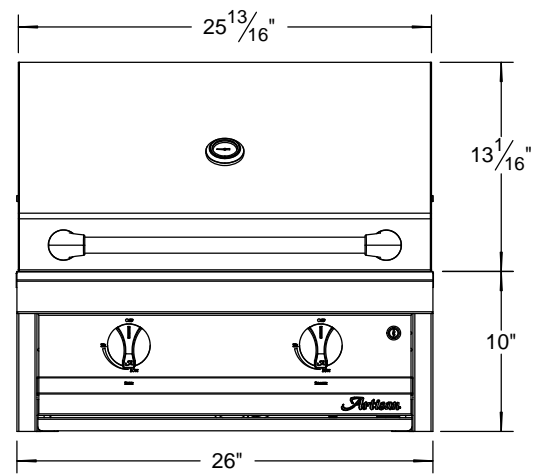
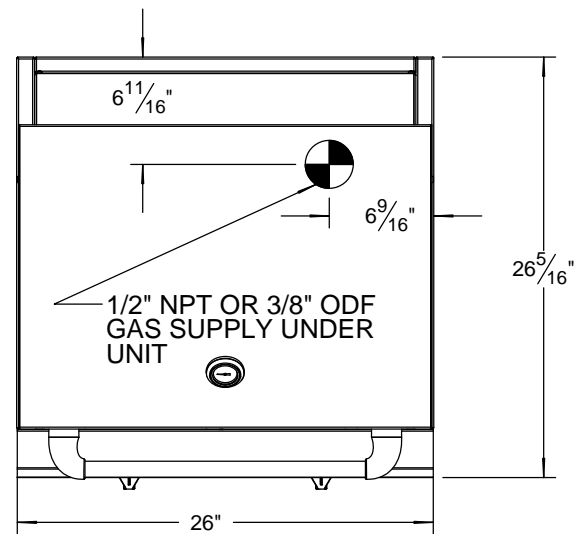
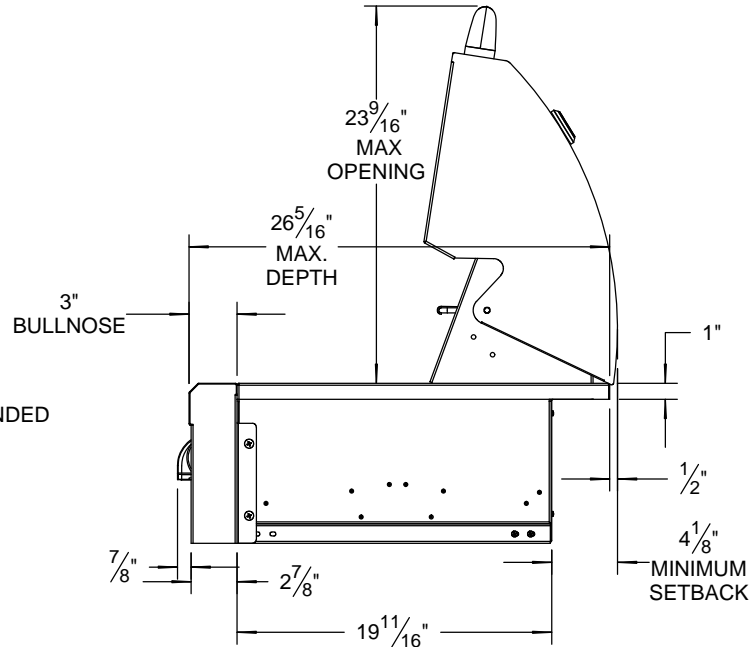
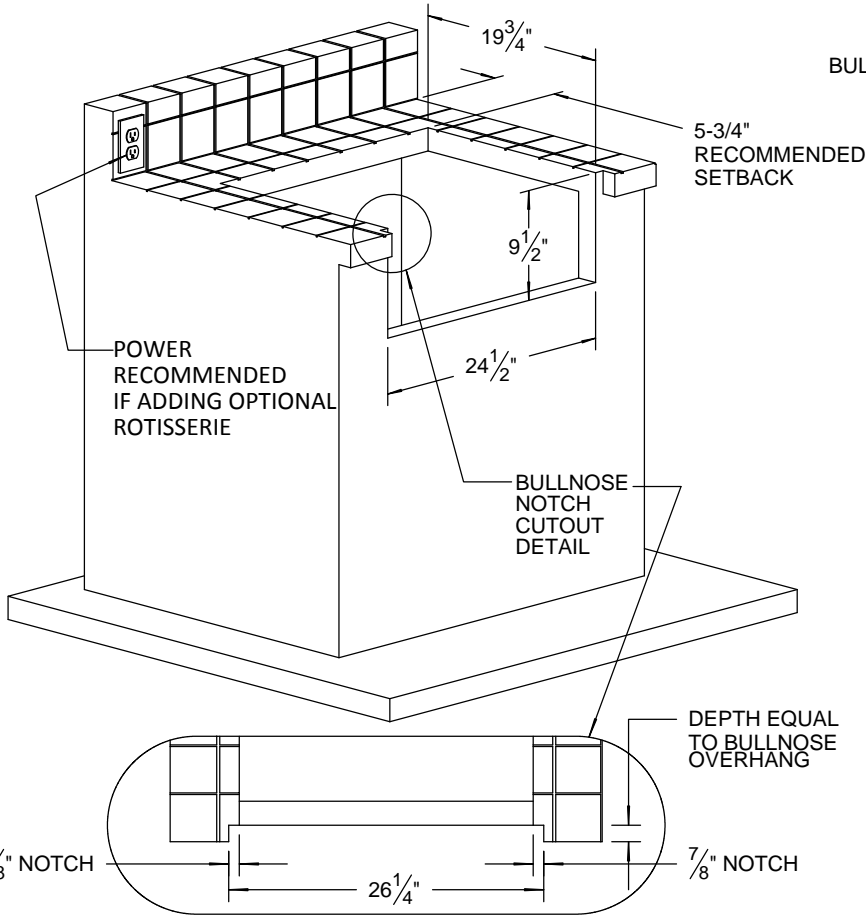


**TYPICAL AAEP-26 INSTALLATION**



**COUNTERTOP CUTOUT REQUIREMENTS**



**SPECIFICATIONS:**

BTUH = 40,000  
 FUEL NG @ 5: W.C. / LP @ 10" W.C.  
 ELECTRICAL POWER: 9 VDC IGNITION SYSTEM.  
 GAS CONNECTION: 1/2" NPT (NG) OR 3/8" ODF (LP)

**NOTE:**

COUNTER MUST HAVE THE PROPER GAS SUPPLY FOR YOUR ARTISAN BBQ.

**Artisan**

THE INFORMATION CONTAINED IN THIS DRAWING IS THE SOLE PROPERTY OF SUPERIOR EQUIPMENT SOLUTIONS INC. ANY REPRODUCTION IN PART OR AS A WHOLE WITHOUT WRITTEN PERMISSION FROM SUPERIOR EQUIPMENT SOLUTIONS, INC. IS PROHIBITED.

PROJECT TITLE:  
**ARTISAN GRILLS**

DRAWING NO.:  
**AAEP-26 SPEC SHEET**

DRAWN BY: Jorge Pelayo  
 CREATED: Monday, March 07, 2016

DRAWING TITLE:  
**AAEP-26 SPECIFICATIONS**